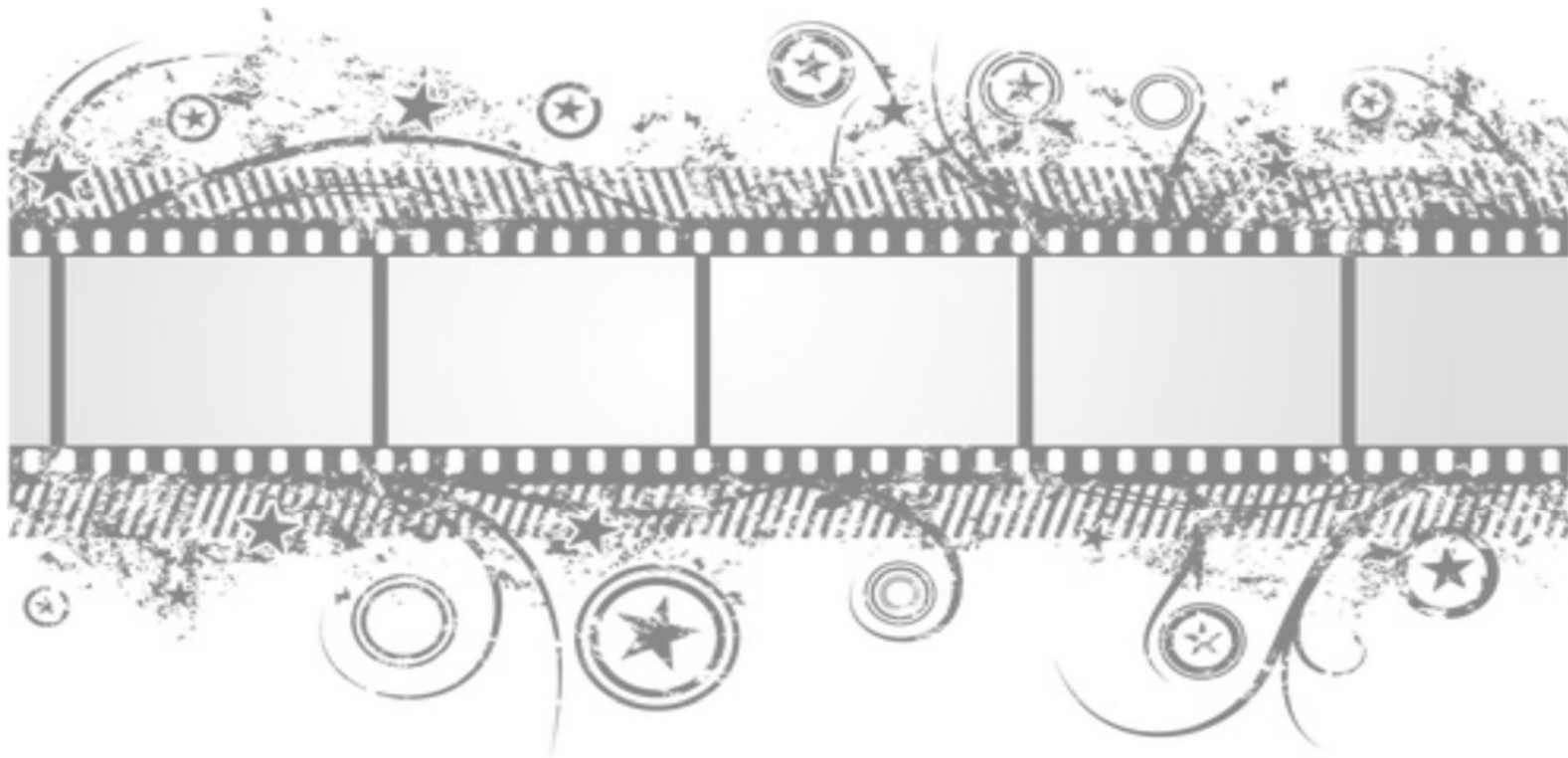


camstage

# Major Pro C

5M to 7M Wide



Medium Dimension Electrical Roller Screen

Suitable for Multi-use Venues

Cinemas

Theatres

Auditoriums

©camstage Magazine

Published January 2017



# Major Pro C

## 5M to 7M Wide

**MAJOR PRO-C** model has been studied to be used in large rooms like auditoriums or cinemas.

Major Pro-C grants big success during great events thanks to its high quality standard.

This screen is supplied with an aluminium cabinet that is suitable for the different aesthetic situations in which it should be positioned.

Available in format 4:3, 16:9, 16:10 and on size with various types of projection surfaces.



Ceiling Mounting



HOUSING LOWER GLANCE

- Strong steel and aluminium construction
- Aluminium housing with several fixing points for a more versatile installation
- Easy to install
- Housing painted with white epoxy powders (RAL 9010)
- Ceiling mounting brackets and On/Off switcher Included
- Projection cloths are flame retardant, classification
- M1 and B1
- Black bottom border of 10 cm. above the dowel bar
- Dowel bar painted with black epoxy powders (RAL9005): height 35 mm. - depth 20 mm.
- Side black borders of 5 cm. on request
- Optional: Wall mounting brackets available upon request
- Optional: Screen housing available in different colours

Major Pro-C screens available also in format 16:9 or 16:10.

4:3 Ratio Viewing area (WxH)	Overall dimensions		Front projection surfaces	Rear projection surfaces	Approx. net weight
	(E)	(C)			
cm. 500x375 cm. 600x450 cm. 700x525	cm. 520 cm. 620 cm. 720	cm. 505 cm. 605 cm. 705	White gain 1.2 Matte White gain 1.2 Microholes gain 1.0	Rear Plus gain 1.1 FrontRear gain 0.9	Kg. 89 Kg. 106 Kg. 124

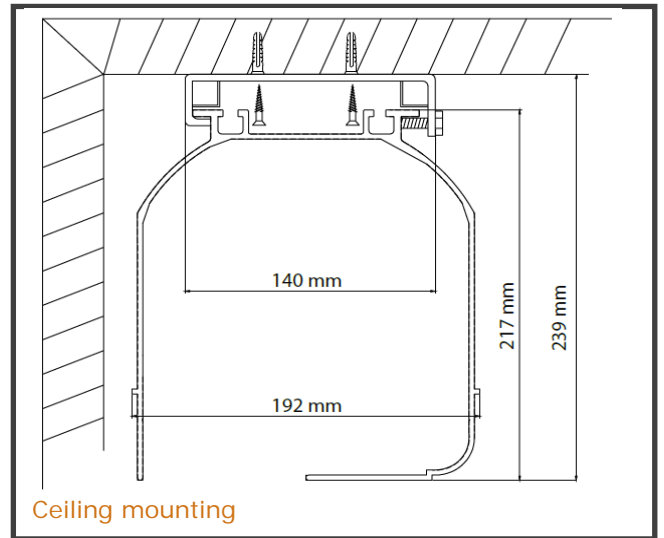
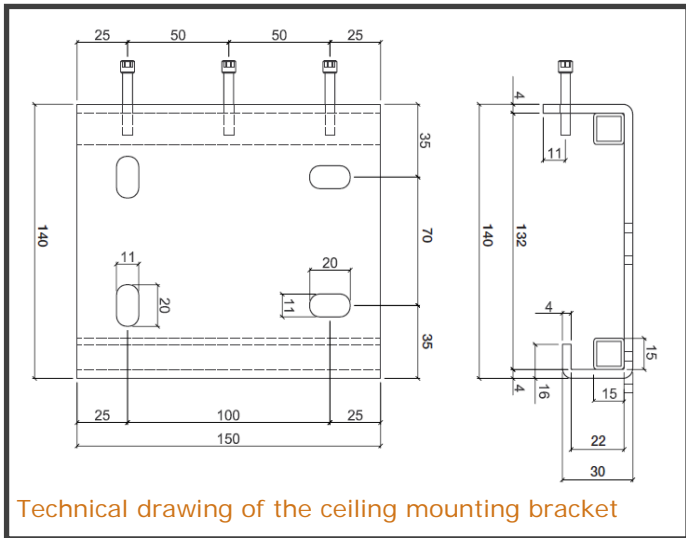
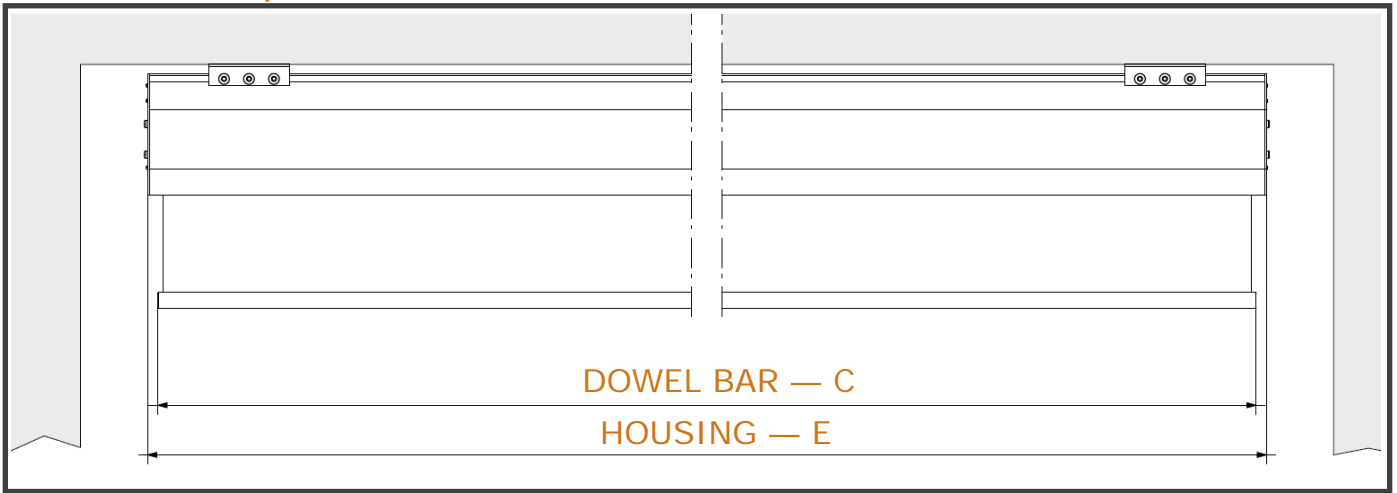
**Warranty:** 5 years on the motor - 24 months on the other components



# Major Pro C

## Technical Specifications

Measures in the technical drawing are expressed in millimetres.



↑

↓

sec.

H cm.	375 sec.	46
H cm.	450 sec.	48
H cm.	525 sec.	56

Average time of rolling up/down

### OPTIONALS



Wall mounting brackets

Truss mounting brackets

### Motor Characteristics

Power: 40 Nm

Speed: 17 rpm

Power supply: 230V / 50 Hz

Consumption: 322 W

Certification IMQ - CE

Major Pro-C 500x375 is supplied with three ceiling mounting brackets.

Major Pro-C 600x450 is supplied with three ceiling mounting brackets.

Major Pro-C 700x525 is supplied with four ceiling mounting brackets.



# Major Pro C

Screen Surfaces Available



## White

WHITE fabric is a PVC material whose chemical characteristics guarantees a bright image with a high contrast. WHITE has obtained fire-proof certification and offer the possibility to make screens with black corners and masking on the upper and lower side of the screen surface. Spooler height 240 cm.



## Matt White

Matt White PVC fabric for front projection with a optimum gain and a good viewing angle. MATTE WHITE is a solution for rooms in which there is a sunlight interference behind the screen. It has good mechanical and chemical characteristics (no waves in big measures too). Spooler height 210 cm.



## Microholes

MICROHOLES fabric is a PVC material studied to be used in rooms where loudspeakers should be positioned behind the projection surface. The chemical characteristics guarantee brightness and high contrast. The fabric has obtained fire-proof certification. spooler height 240 cm.



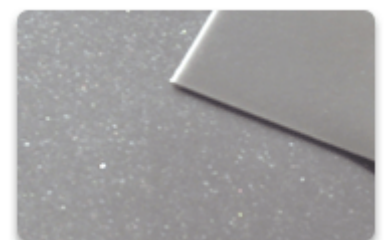
## Frontrear

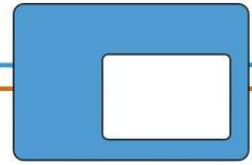
FRONTREAR cloth is a white PVC material with also a white rear side, which can be used for both front or rear projection. This offers the possibility to use this projection cloth in a large range of applications, from events and rental up to fixed installations where you need to alternate rear projection with also front projection. It has a wide viewing angle, that permits to cover a wide audience.



## Rear Plus

REAR PLUS is a trans lucid PVC material suitable for rear projection. The fabric guarantees images with good contrast and brightness. REAR PLUS has obtained fire-proof certification. Spooler height 240 cm.





camstage

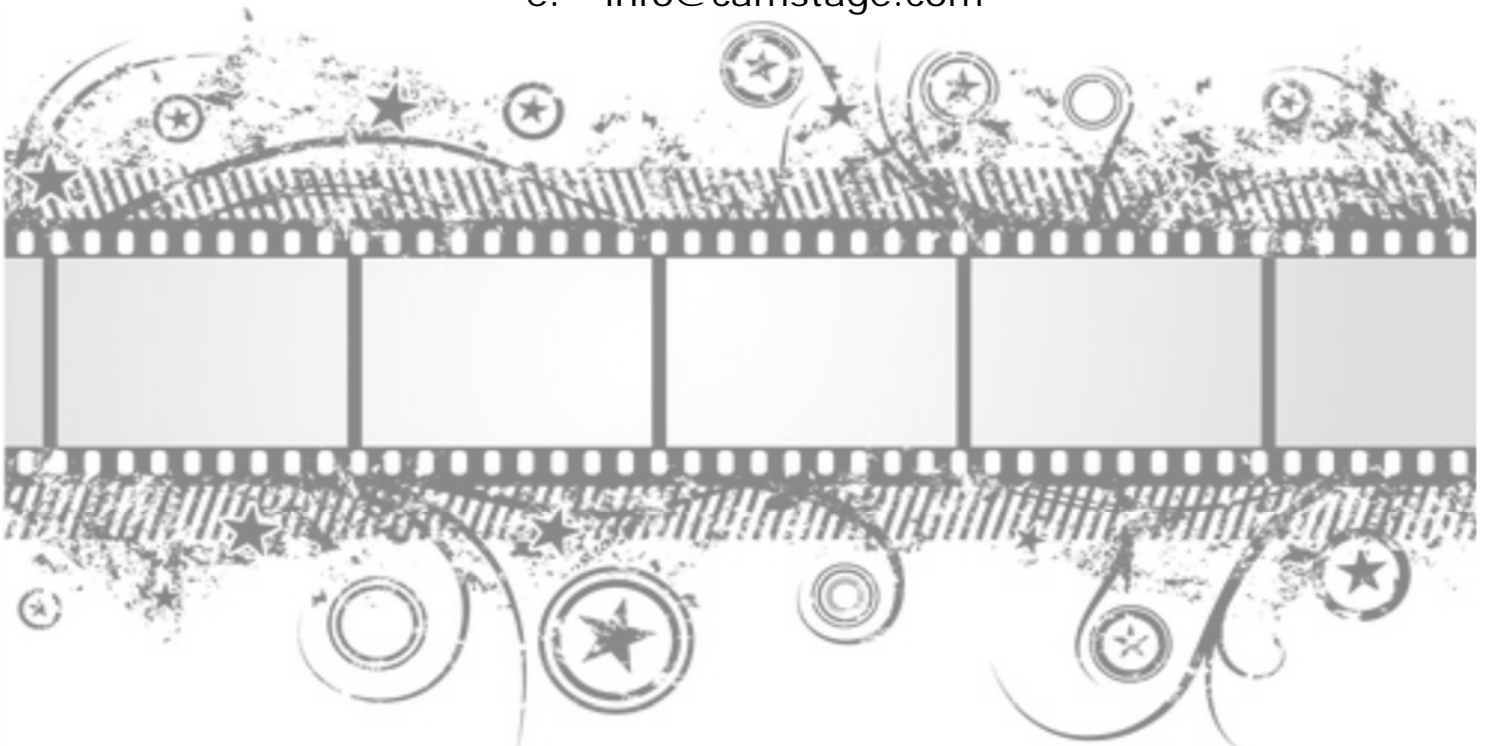
## Roller Screen Range

Compact	1.6 - 3 Mtrs
Major	3 - 4.5 Mtrs
Major Pro C	5 - 7 Mtrs
Cine Pro	8 - 12 Mtrs

# camstage

t: +44 (0) 1727 830151

e: [info@camstage.com](mailto:info@camstage.com)



31 Hedley Road, St. Albans, Hertfordshire, AL1 5JL

Proprietor: Camstage Ltd | Registered in England No: 4899875 | VAT No: 244 1964 04

t: +44(0) 1727 830151 | f: +44(0) 1727 855993 | e: [info@camstage.com](mailto:info@camstage.com) | w: [www.camstage.com](http://www.camstage.com)

